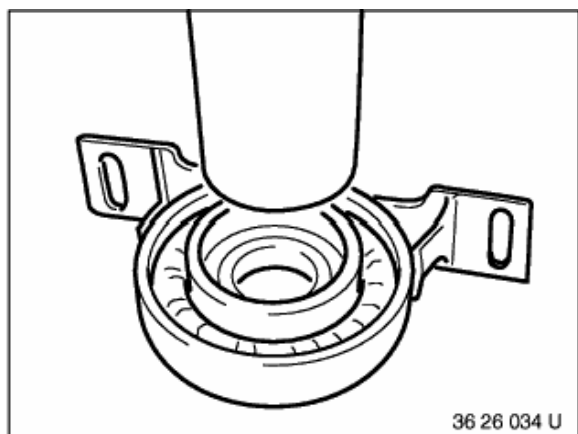


Remove centre mount,
refer to 26 12 001

Press out grooved ball bearing with Special Tool 23 1 160.



Always coat centre mount in area of ball bearing with Circolight
(refer to BMW Parts Service).

Press in ball bearing as far as stop using a suitable sleeve.